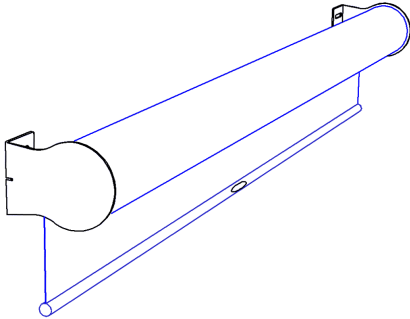


Do not settle for anything less in Roller Screen Systems



**Spring with Decelerator - Smooth Operator**

Roller Sizes—32, 36, 48mm

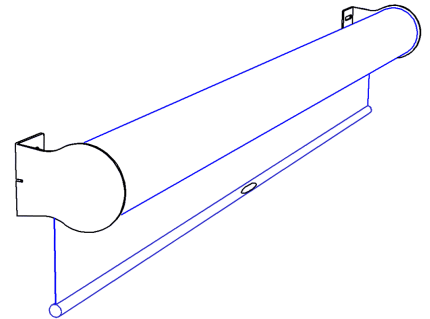
Roller Size chosen to suit application:  
 Max width 3000mm (5mm sag with 500 g/Sq.M cloth - 48 Roller)  
 Max Drop 3600mm (22 turns of cloth - 48 Roller)  
 Max area is restricted by other factors

Bottom Finish  
 Closed Pocket or Powder coated aluminium in any of our standard designs

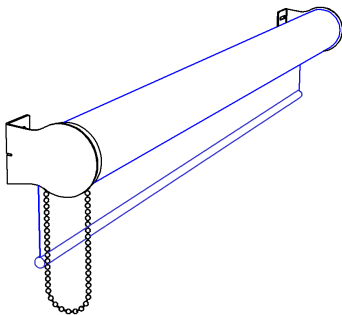
**Power with Ease - Heavy Duty Spring**

Roller Sizes—60, 80mm

Roller Size chosen to suit application:  
 Max width 4400mm (5mm sag with 500 g/Sq.M cloth - 80 Roller)  
 Max Drop 6200mm (22 turns of cloth - 80 Roller)  
 Max area is restricted by other factors



Bottom Finish  
 Closed Pocket or Powder coated aluminium in any of our standard designs



**Side Chain - Endlessly**

Roller Sizes - 48, 60, 80mm

Roller Size chosen to suit application:  
 Max width 4400mm (5mm sag with 500 g/Sq.M cloth - 80 Roller)  
 Max Drop 6200mm (22 turns of cloth - 80 Roller)  
 Max area is restricted by other factors

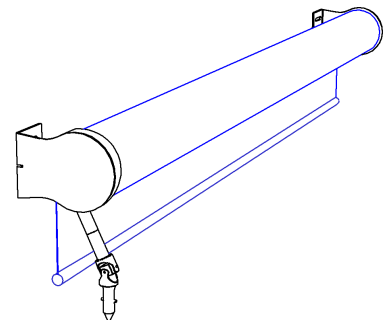
60/80 System available with 4:1 or 14:1 geared winding mechanisms.

Bottom Finish  
 Closed Pocket or Powder coated aluminium in any of our standard designs

**The ultimate wind up - Gear**

Roller Sizes - 60, 80, 110mm

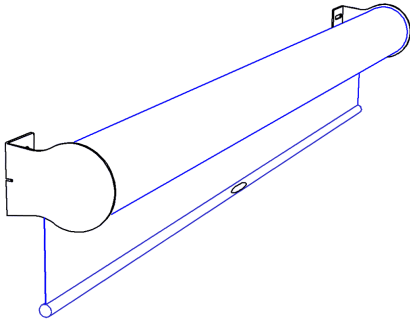
Roller Size chosen to suit application:  
 Max width 5000mm (5mm sag with 500 g/Sq.M cloth - 110 Roller)  
 Max Drop 8800mm (22 turns of cloth - 110 Roller)  
 Available torque will restrict max area.



Bottom Finish  
 Closed Pocket or Powder coated aluminium in any of our standard designs

Quality and Ability come as Standard.

Do not settle for anything less in Roller Screen Systems



### Electric - Sophistication with Capability

Roller Sizes - 36, 60, 80, 110, 160mm

Roller Size chosen to suit application:  
 Max width 6400mm (5mm sag with 500 g/Sq.M cloth - 160 Roller).  
 Max Drop 12800mm (22 turns of cloth - 160 Roller).  
 Max area is restricted by other factors.

36 System uses internal tubular 24V.DC Motors (transformers will be required)  
 68/80/110 use 50mm internal tubular 240V.AC Motors.  
 160 uses 60mm internal tubular 240V.AC Motors.

Bottom Finish  
 Closed Pocket or Powder coated aluminium in any of our standard designs

### Test your Imagination - Tensioned Systems

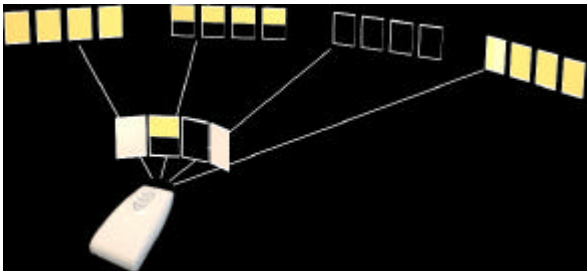
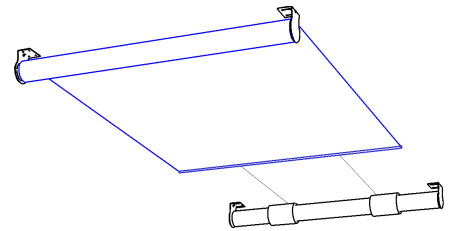
Cloth Roller Sizes - 60, 80, 110, 160mm  
 Cable Roller Sizes - 80mm  
 Cable Type - 1.5mm Stainless Steel

Hem Bar / Traction Bar  
 Will depend on system size, but usually our 36mm or 70mm

Shapes Possible

Roller Size chosen to suit application

Or.... In place of the cable roller, use our constant tension springs.  
 Also.... The cable can be routed over our stainless steel (ball bearing) pulley.



### Control Systems - Design Controls for Every Situation

- Wired in Switch
- Radio / Infra Red Control
- Group Relays
- Home Automation
- Building Management Systems

Quality and Ability come as Standard.