

4

3

2

1

S-line

V-line

D

D

C

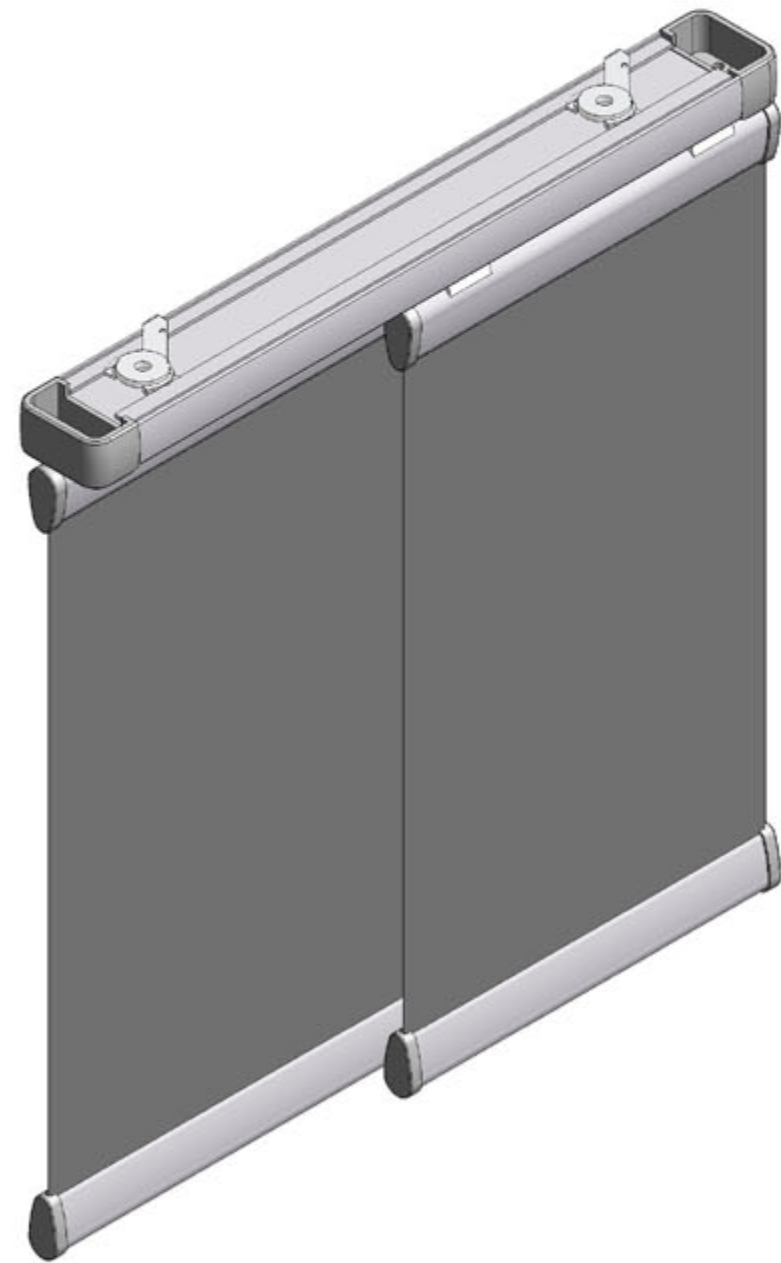
C

B

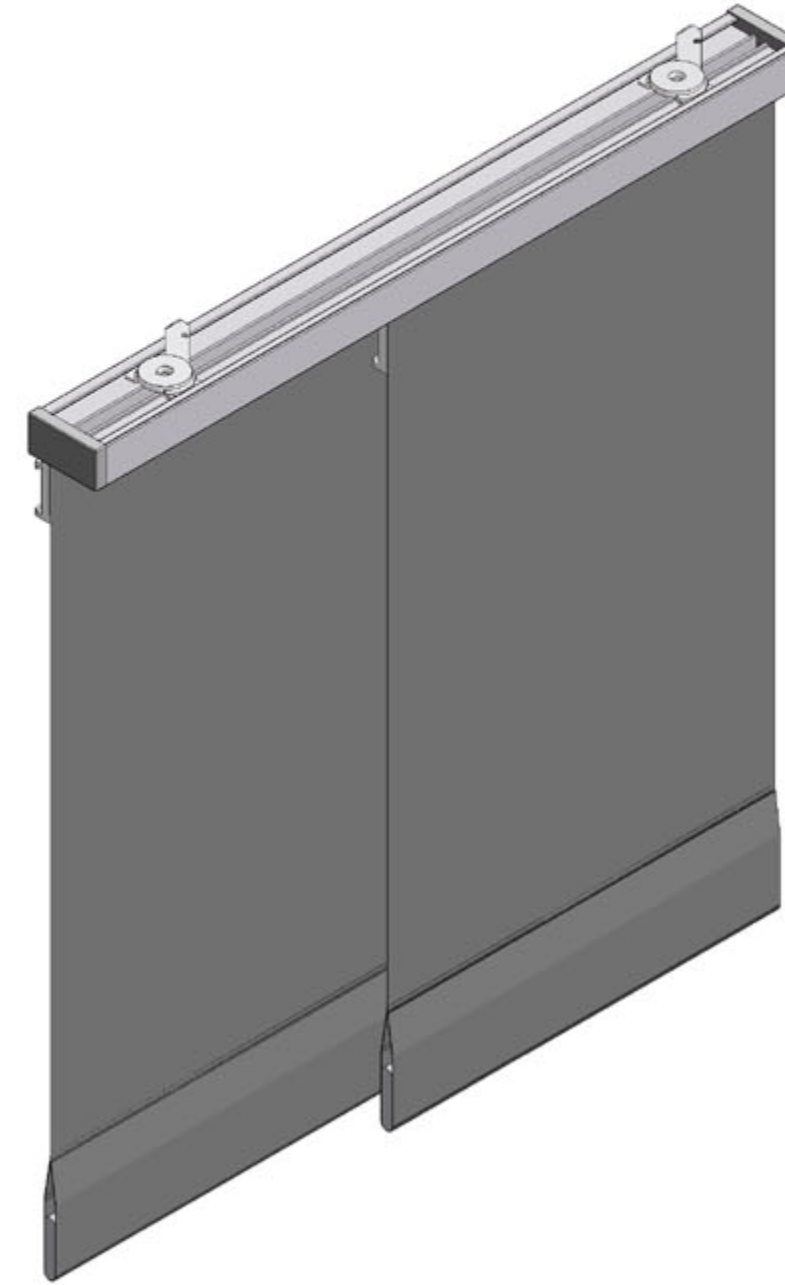
B

A

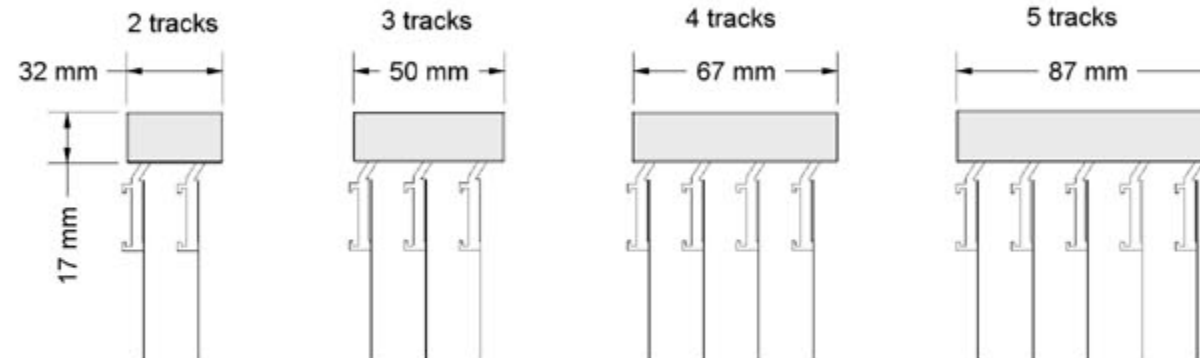
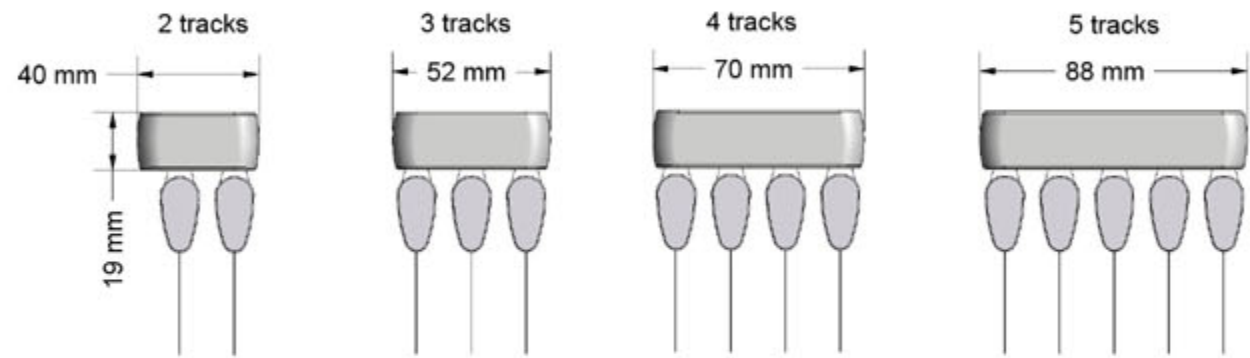
A



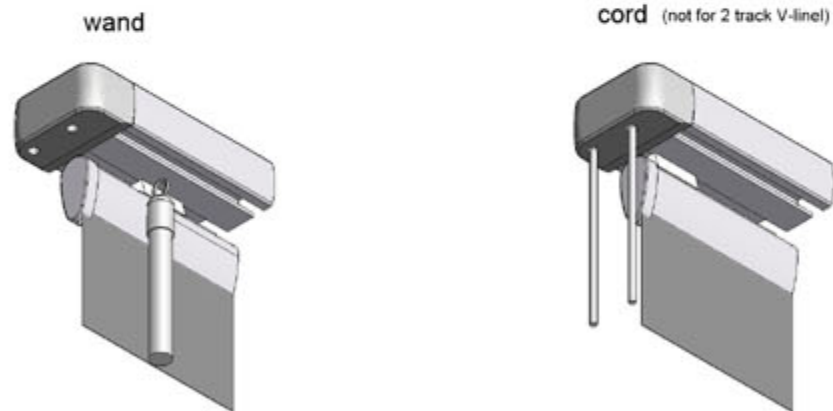
top fix + face fix



top fix + face fix



operation options



DRAWN akrosenbrink	13-1-2006	TITLE	
CHECKED		panel track system Silverscreen / Verosol	
QA			
MFG			
APPROVED		SIZE C	DWG NO panel track
		SCALE	REV
			SHEET 1 OF 1

4

3

2

1